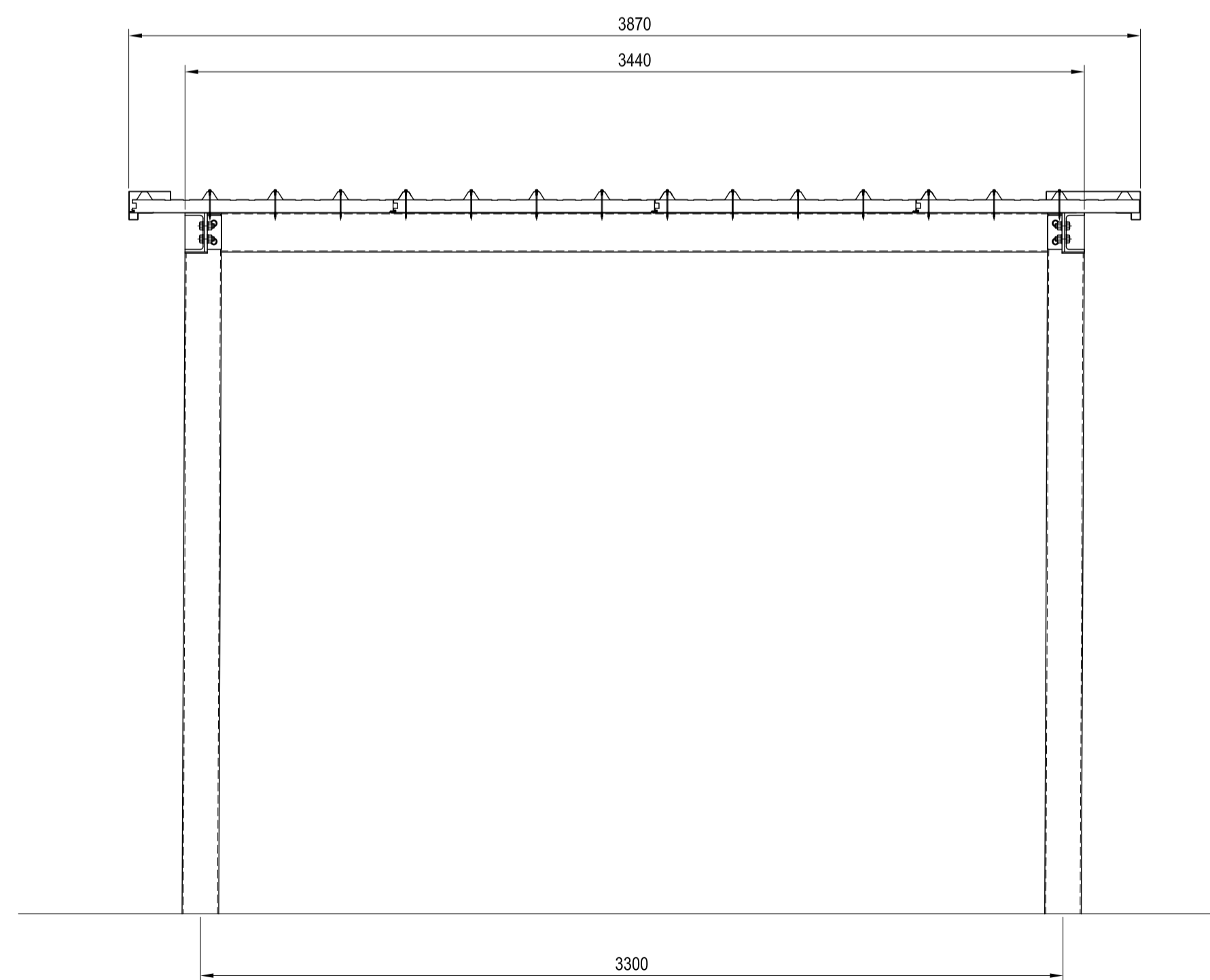
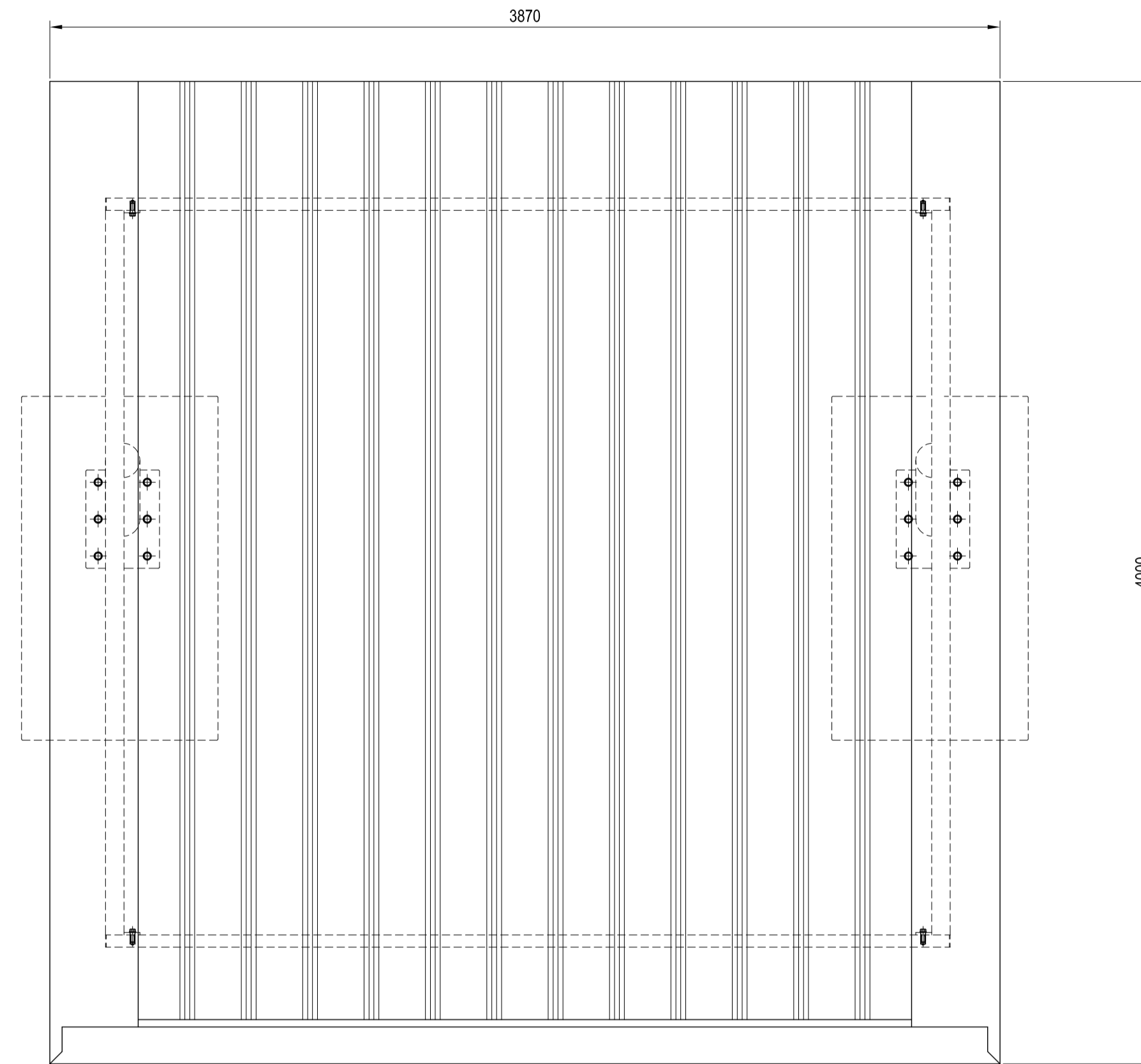
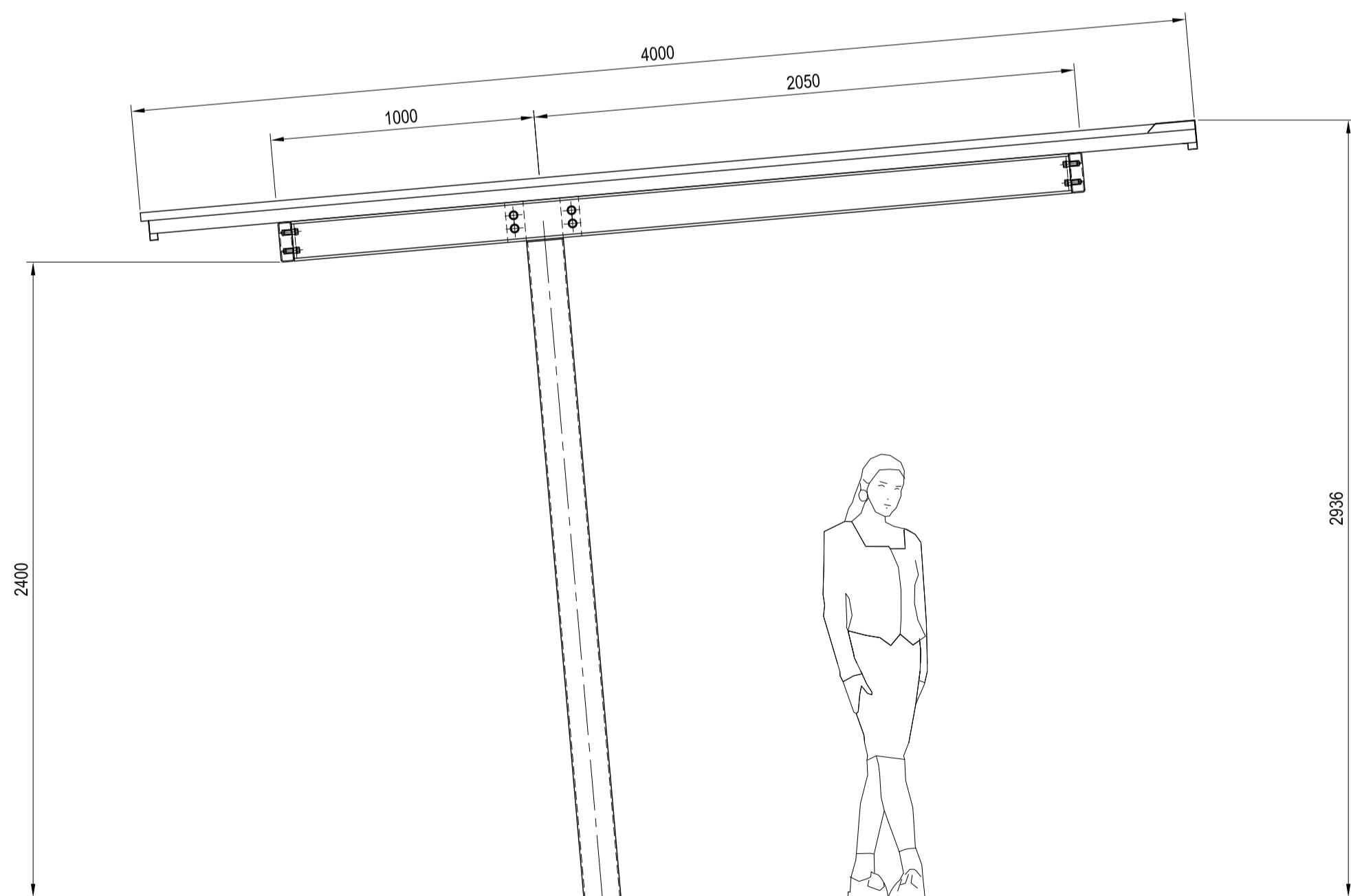




Illawarra Shelter

Insulated Roof Panel Over Dimensions : 3900mm x 4000mm
Structural Members : Hot Dip Galvanised Steel with Powder Coat Finish
Circular Hollow Section Post Option

Product Code : **I-3940-1**



A	DRAWING ISSUED FOR APPROVAL	RAL	
REV:	DESCRIPTION:	BY:	DATE:
1/47 Holder Way Malaga WA 6090		08 9248 8844 www.ironcladwa.com.au	
CLIENT:			
DESCRIPTION: ILLAWARRA SHADE STRUCTURE			
SCALE AT A1: 1 : 20	DATE:	DRAWN: RAL	CHECKED:
PROJECT NO:	DRAWING NO: I-3940-1	REVISION: A	



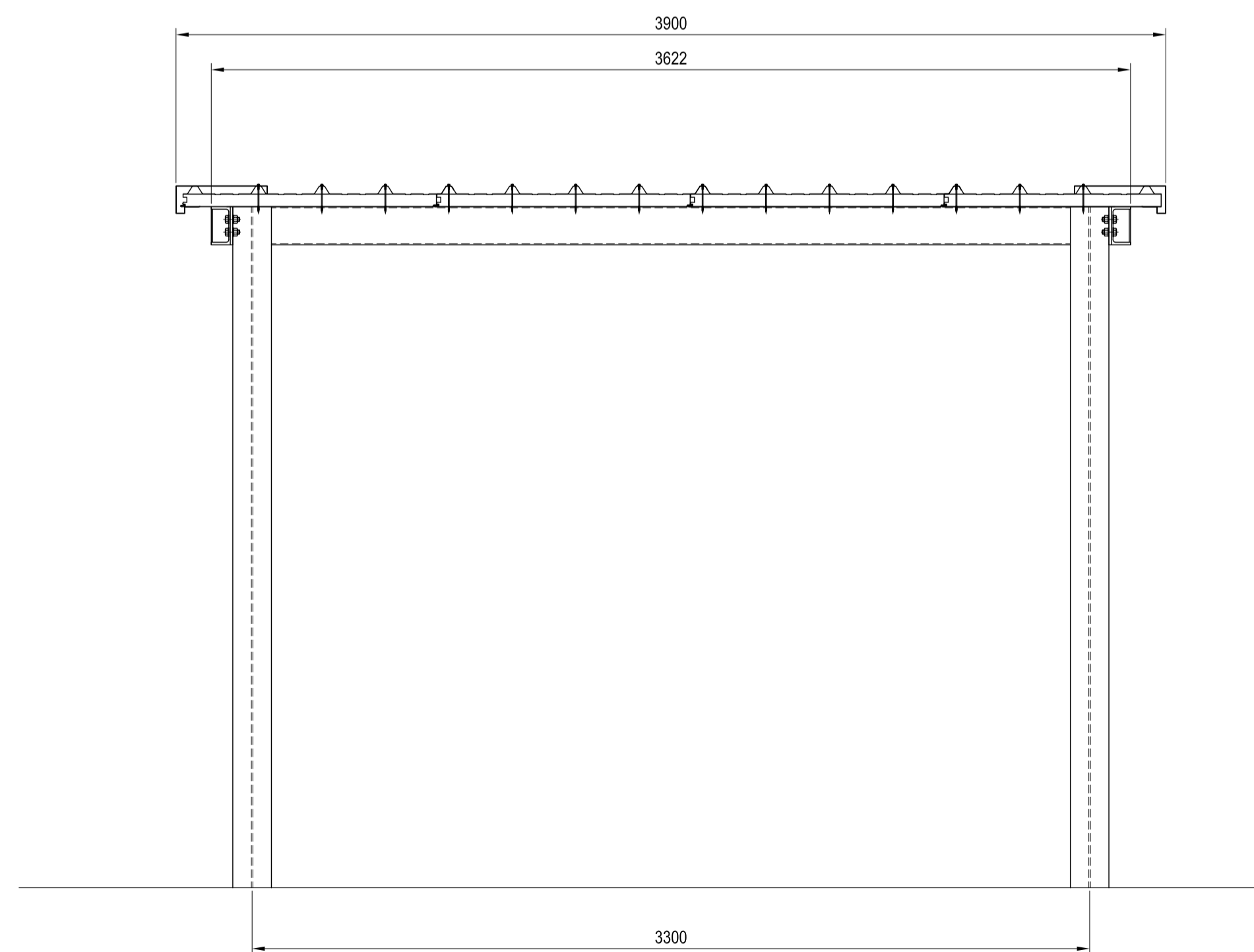
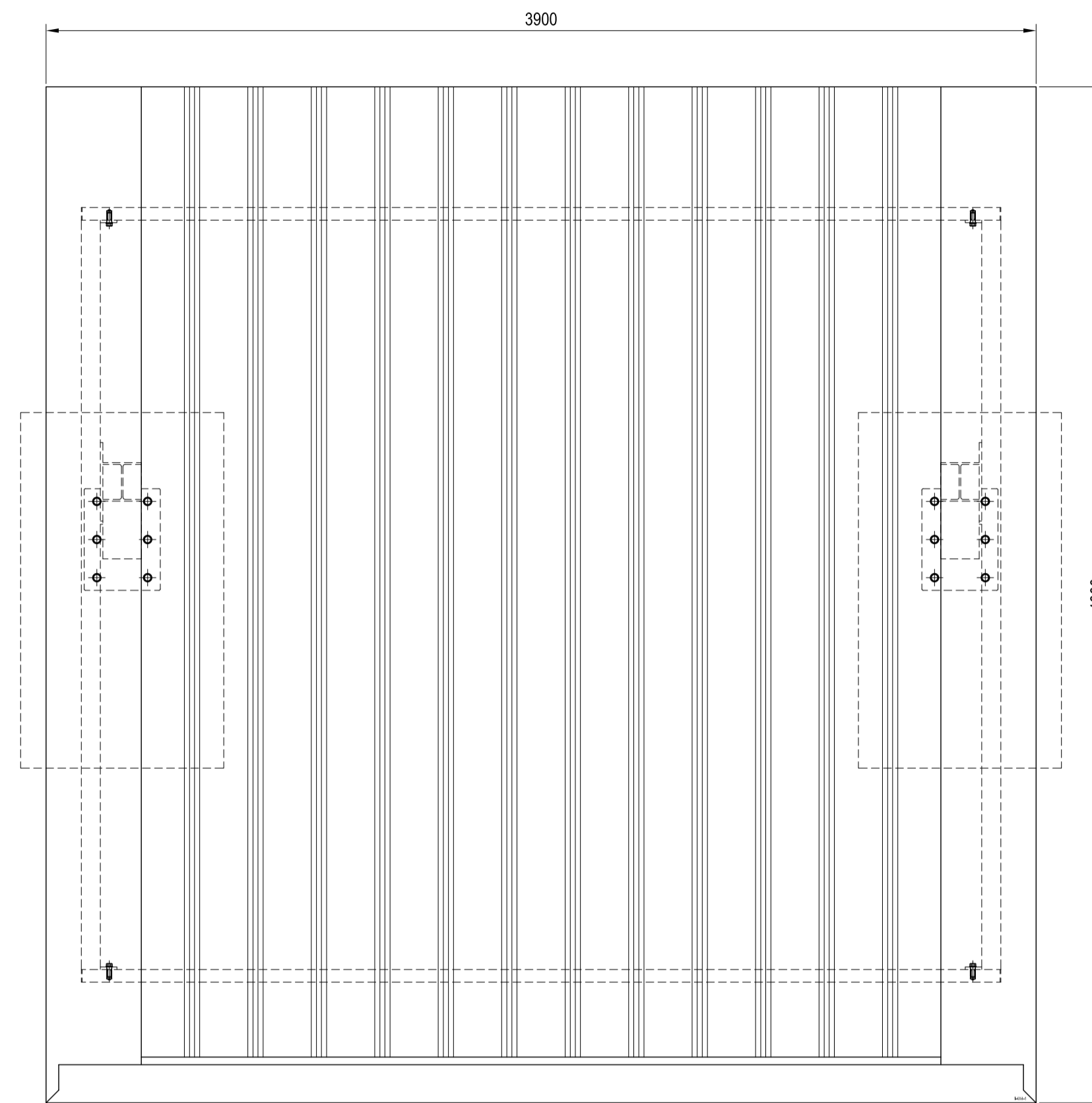
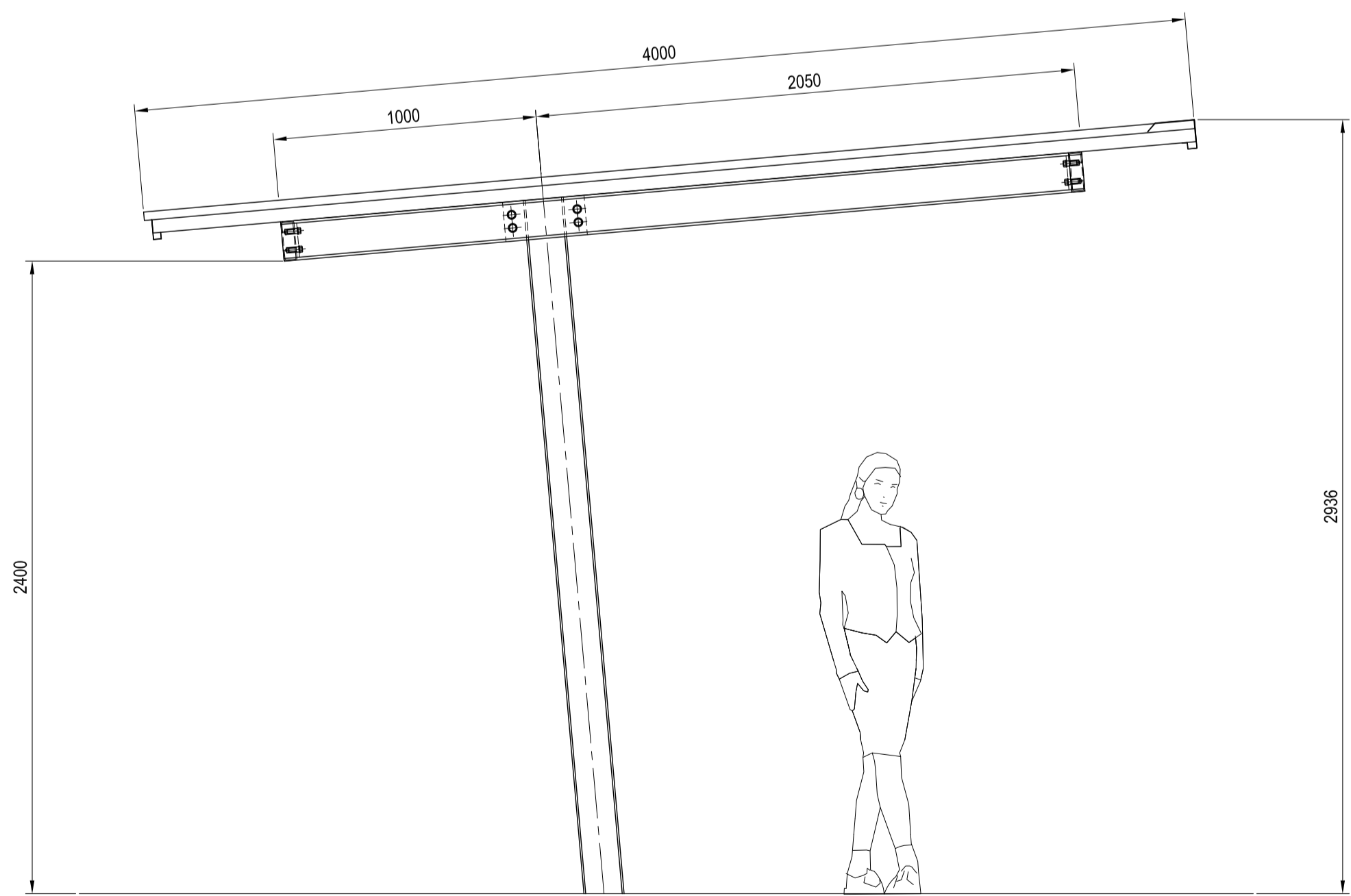
Illawarra Shelter

Insulated Roof Panel Over Dimensions : 3900mm x 4000mm Structural

Members : Hot Dip Galvanised Steel with Powder Coat Finish

Universal Column Post Option

Product Code : **I-3940-2**



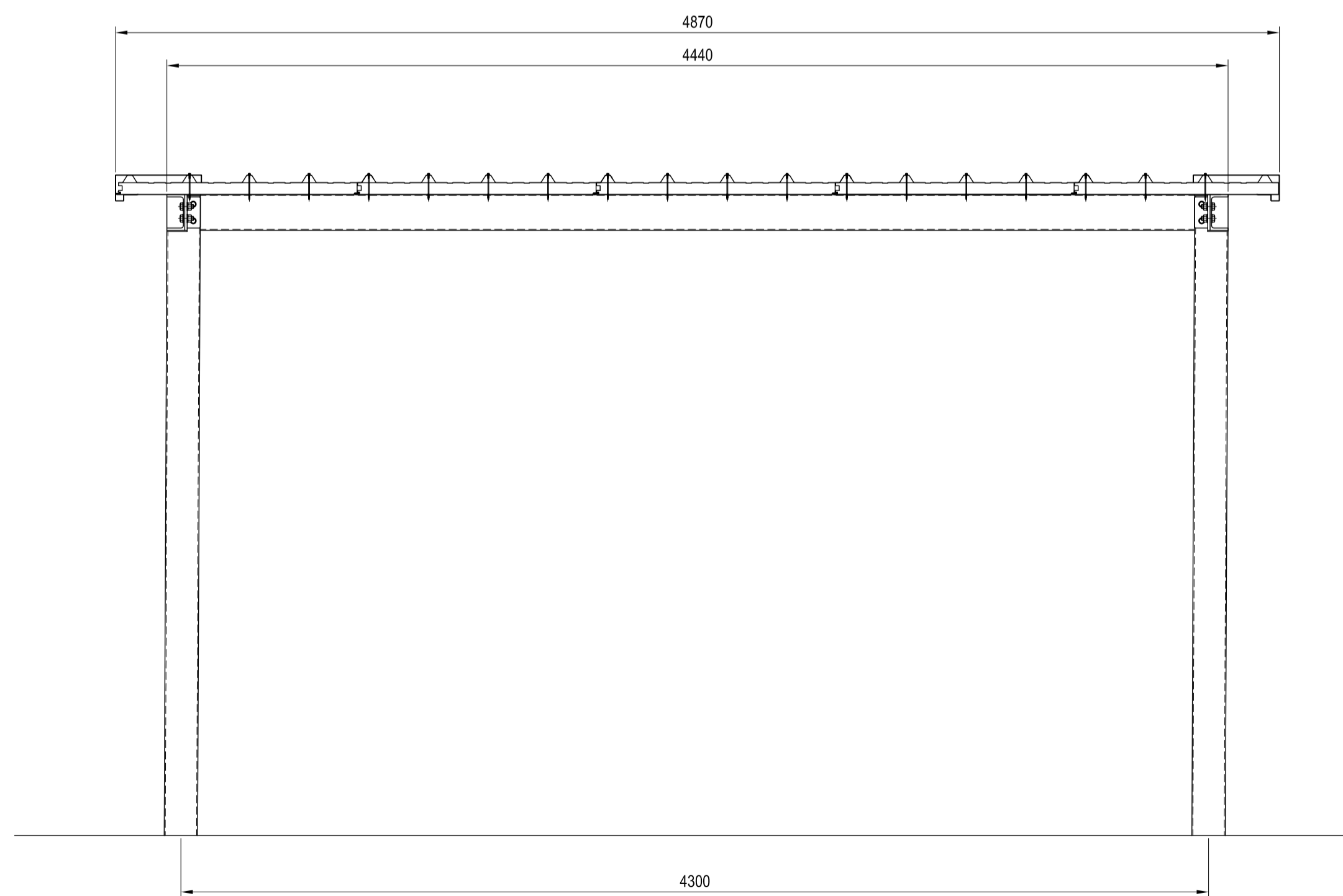
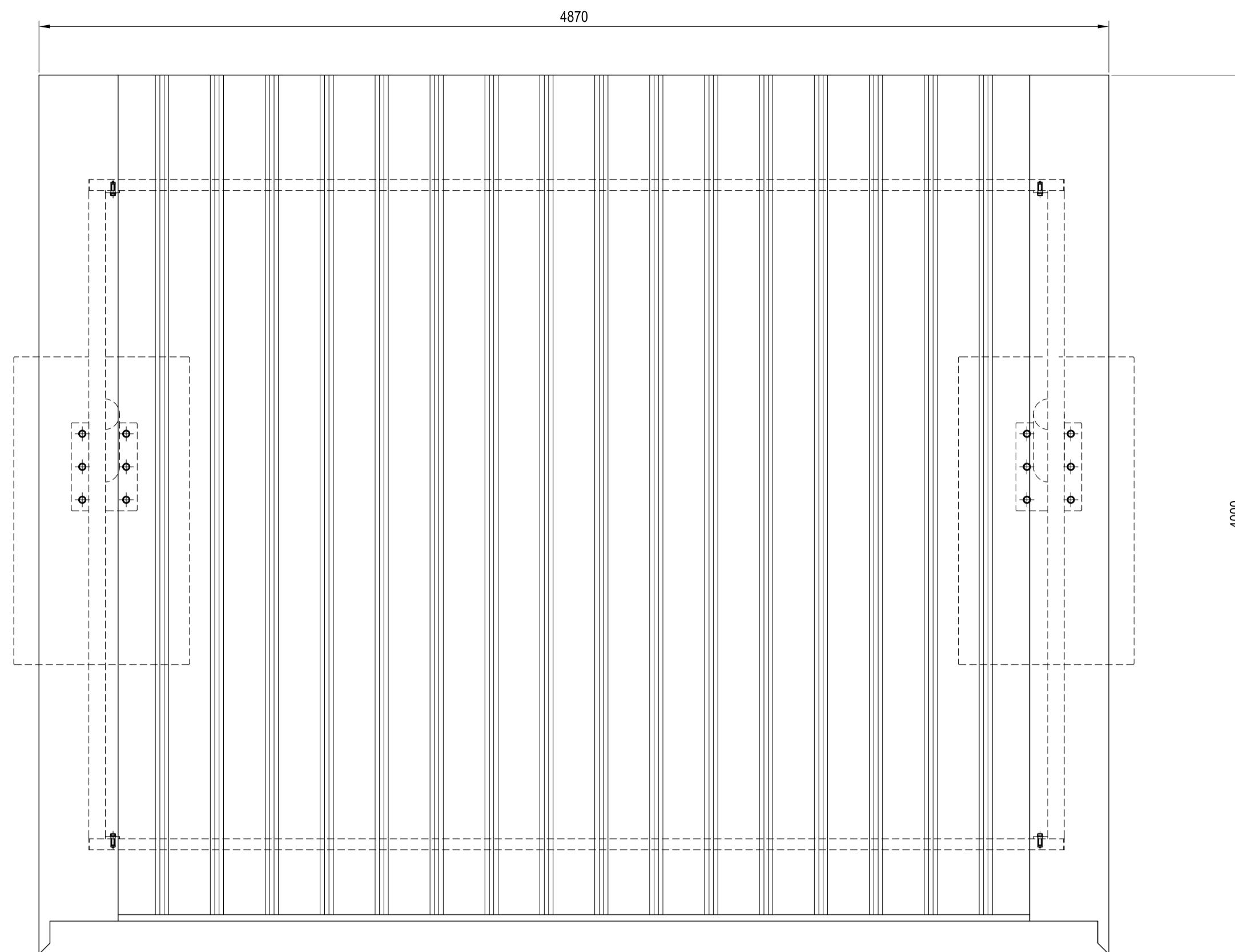
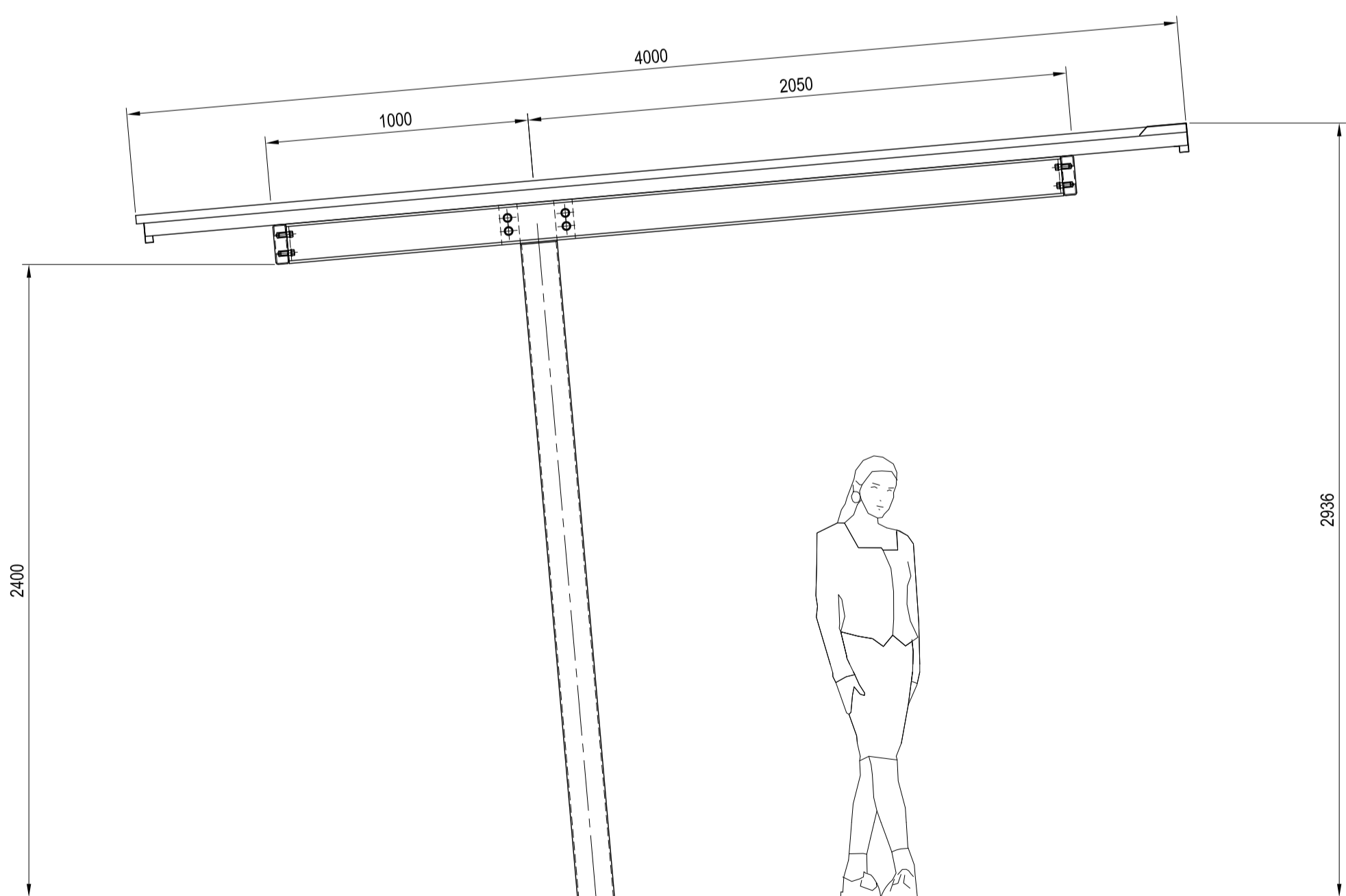
A	DRAWING ISSUED FOR APPROVAL	RAL	
REV:	DESCRIPTION:	BY:	DATE:
IRONCLAD <small>ARCHITECTURAL METALWORK WA</small>			
1/47 Holder Way Malaga WA 6090		08 9248 8844 www.ironcladwa.com.au	
CLIENT:			
DESCRIPTION: ILLAWARRA SHADE STRUCTURE			
SCALE AT A1: 1 : 20	DATE:	DRAWN: RAL	CHECKED:
PROJECT NO:	DRAWING NO: I-3940-2	REVISION: A	



Illawarra Shelter

Insulated Roof Panel Over Dimensions : 4900mm x 4000mm
Structural Members : Hot Dip Galvanised Steel with Powder
Coat Finish Circular Column Post Option

Product Code : **I-4940-1**



A	DRAWING ISSUED FOR APPROVAL	RAL	
REV:	DESCRIPTION:	BY:	DATE:
IRONCLAD <small>ARCHITECTURAL METALWORK WA</small>			
1/47 Holder Way Malaga WA 6090		08 9248 8844 www.ironcladwa.com.au	
CLIENT:			
DESCRIPTION: ILLAWARRA SHADE STRUCTURE			
SCALE AT A1: 1 : 20	DATE:	DRAWN: RAL	CHECKED:
PROJECT NO:	DRAWING NO: I-4940-1	REVISION: A	



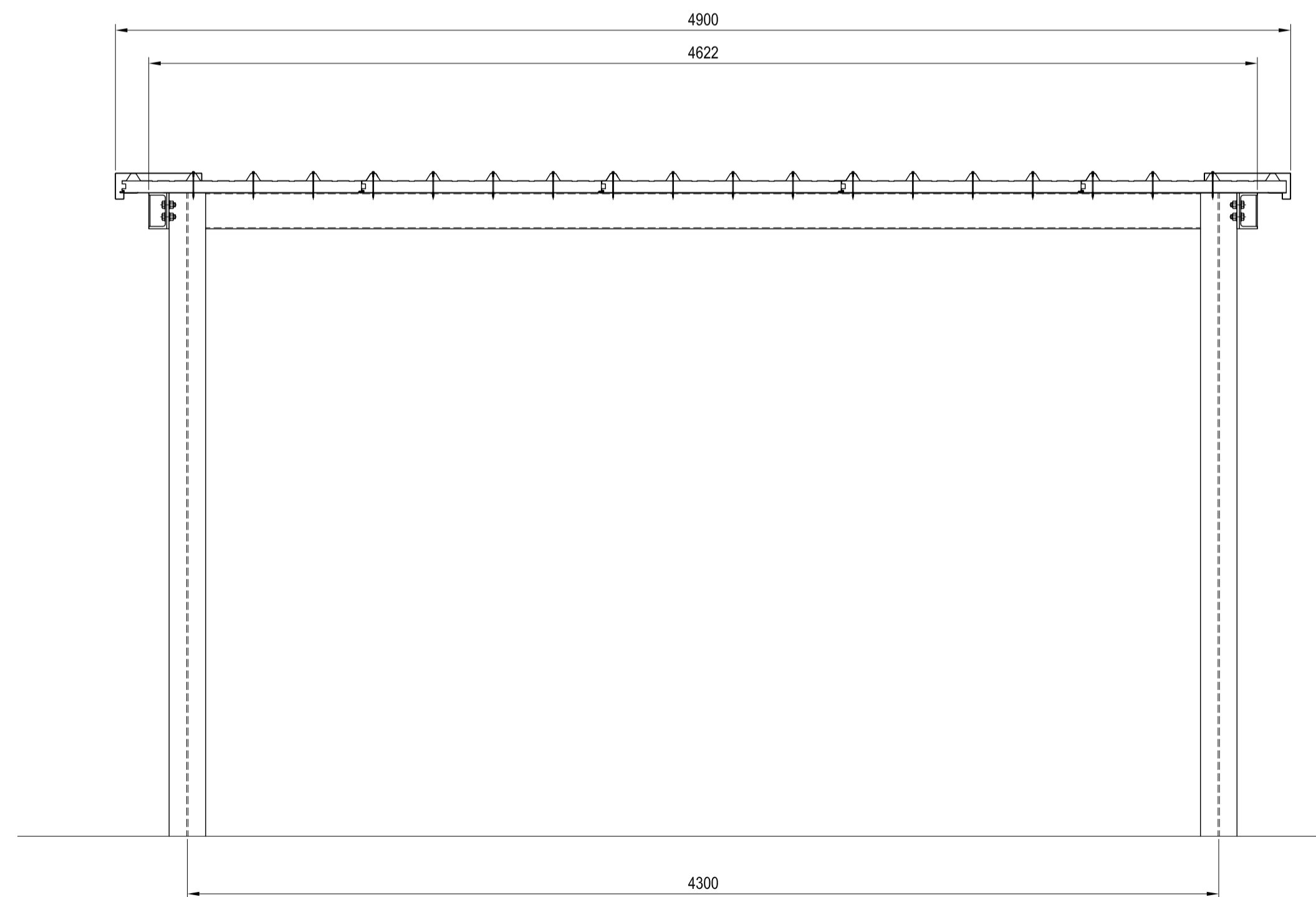
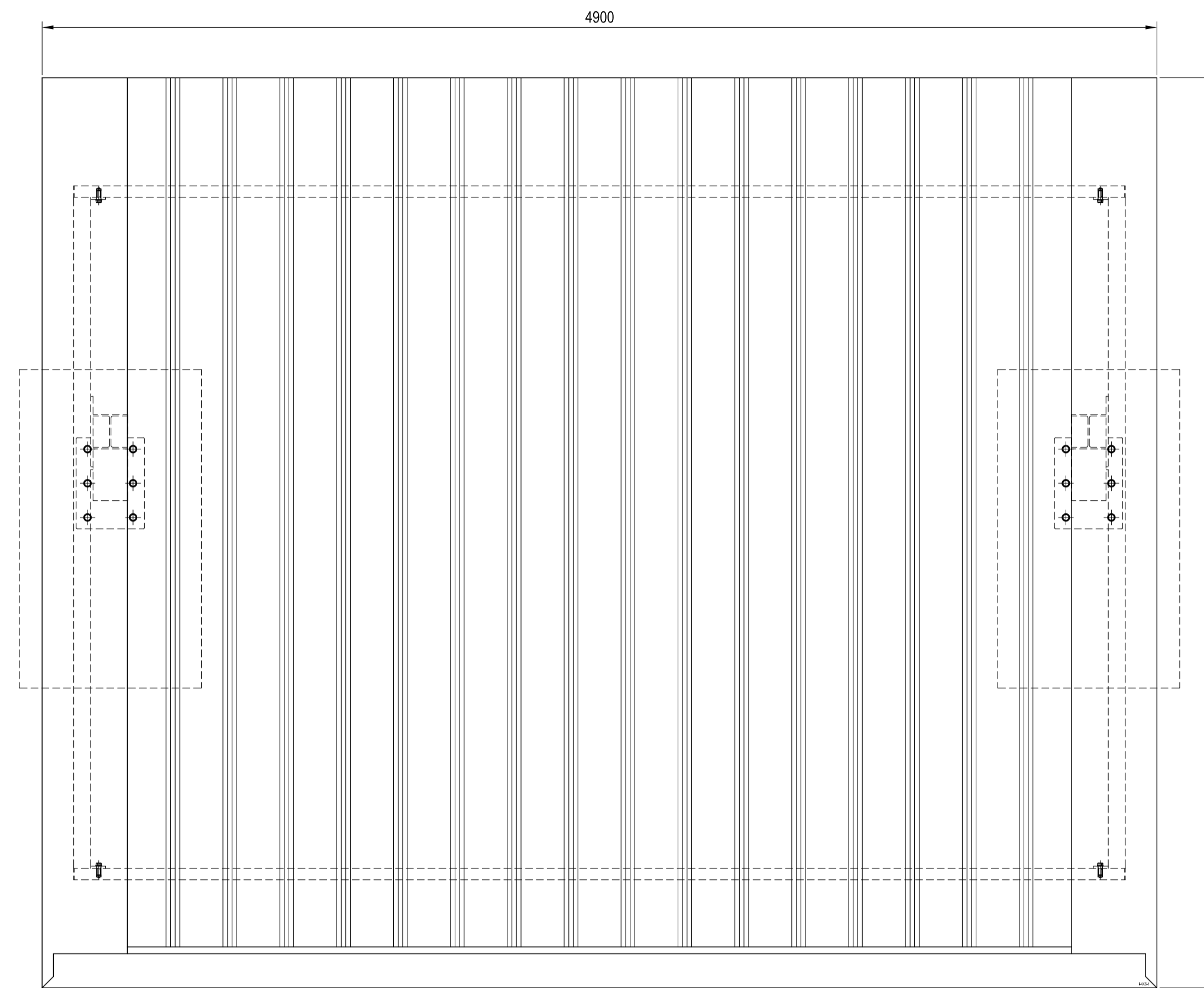
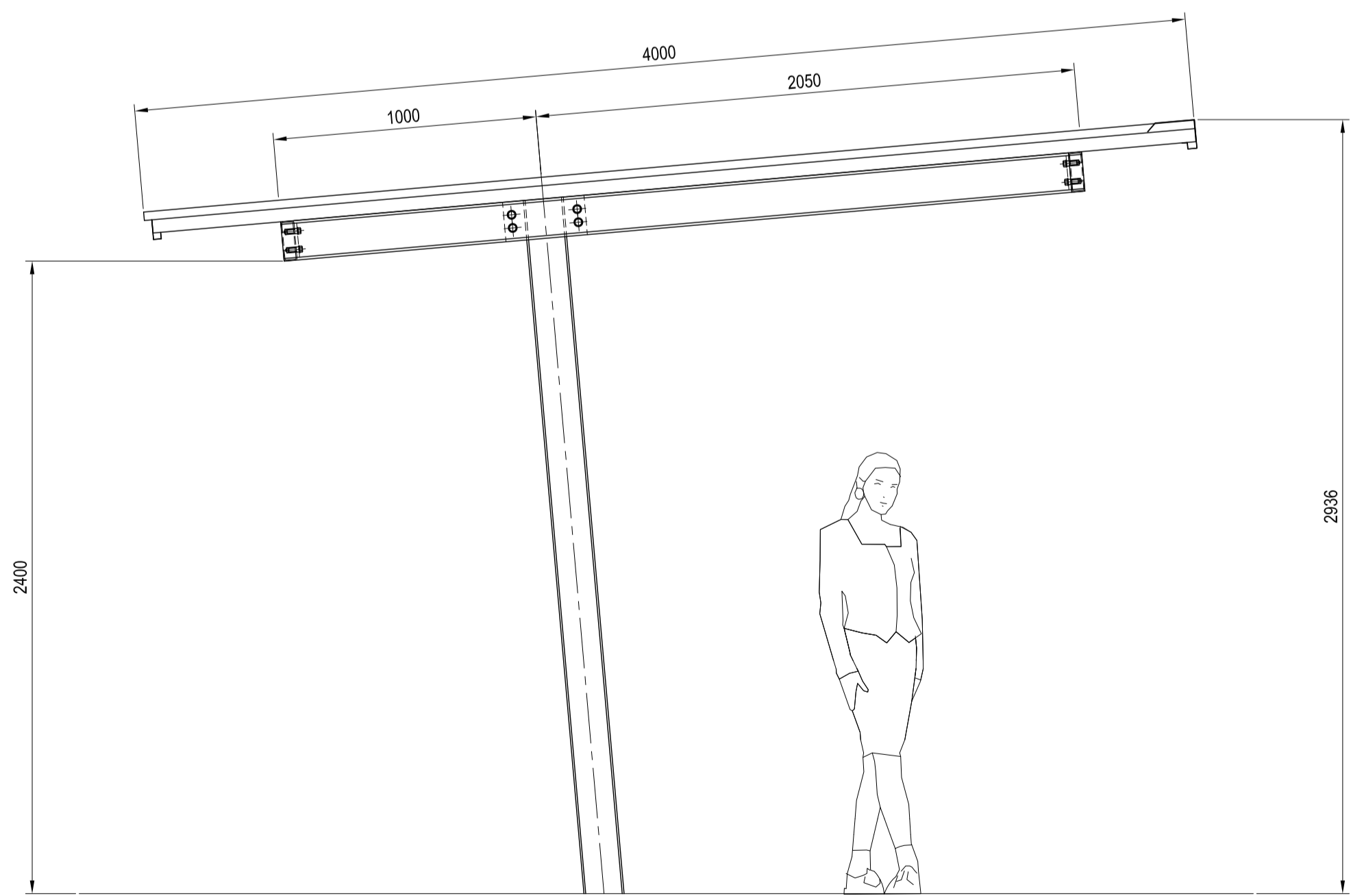
Illawarra Shelter

Insulated Roof Panel Over Dimensions : 4900mm x 4000mm

Structural Members : Hot Dip Galvanised Steel with Powder

Coat Finish Universal Column Post Option

Product Code : **I-4940-2**



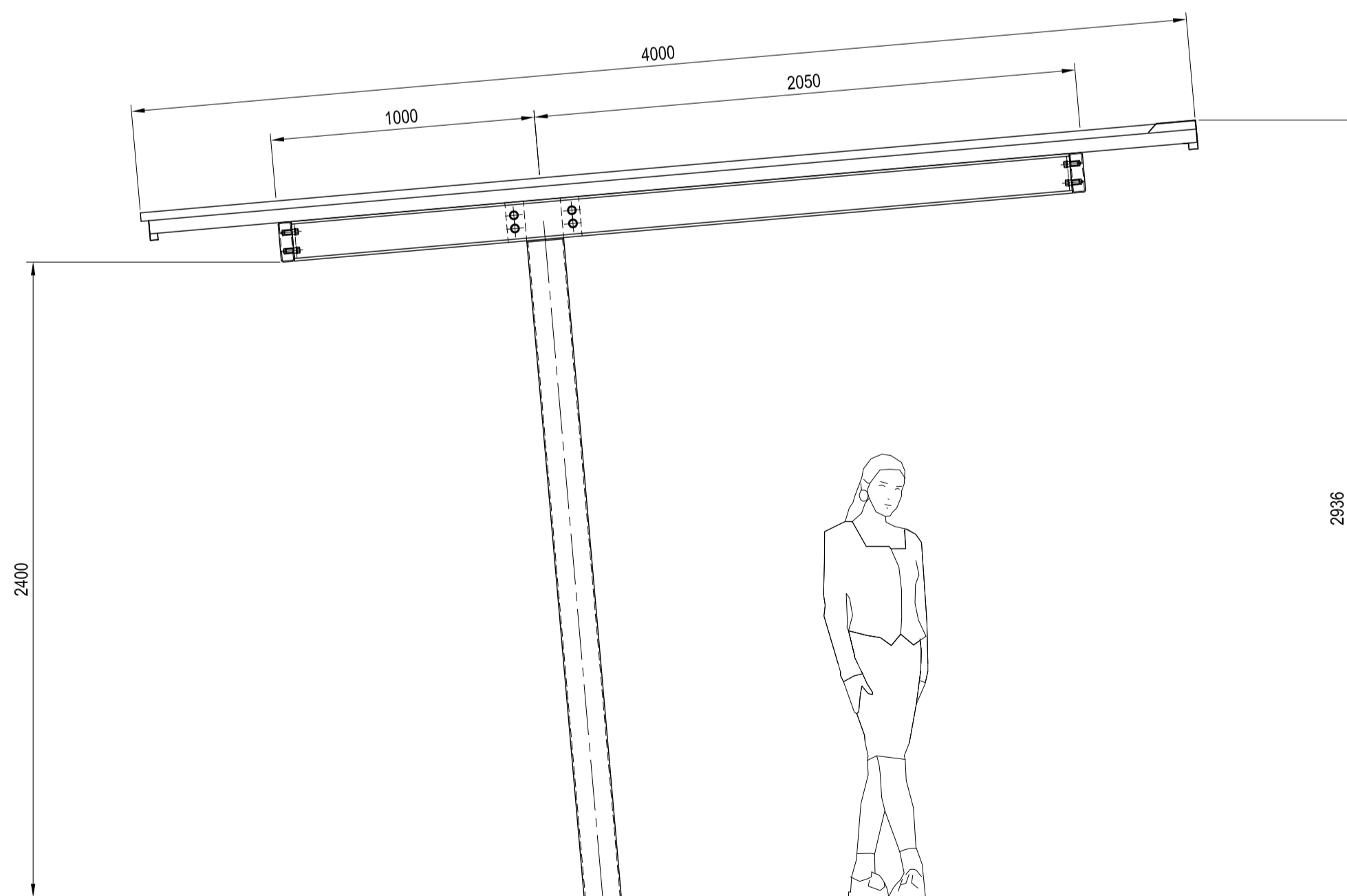
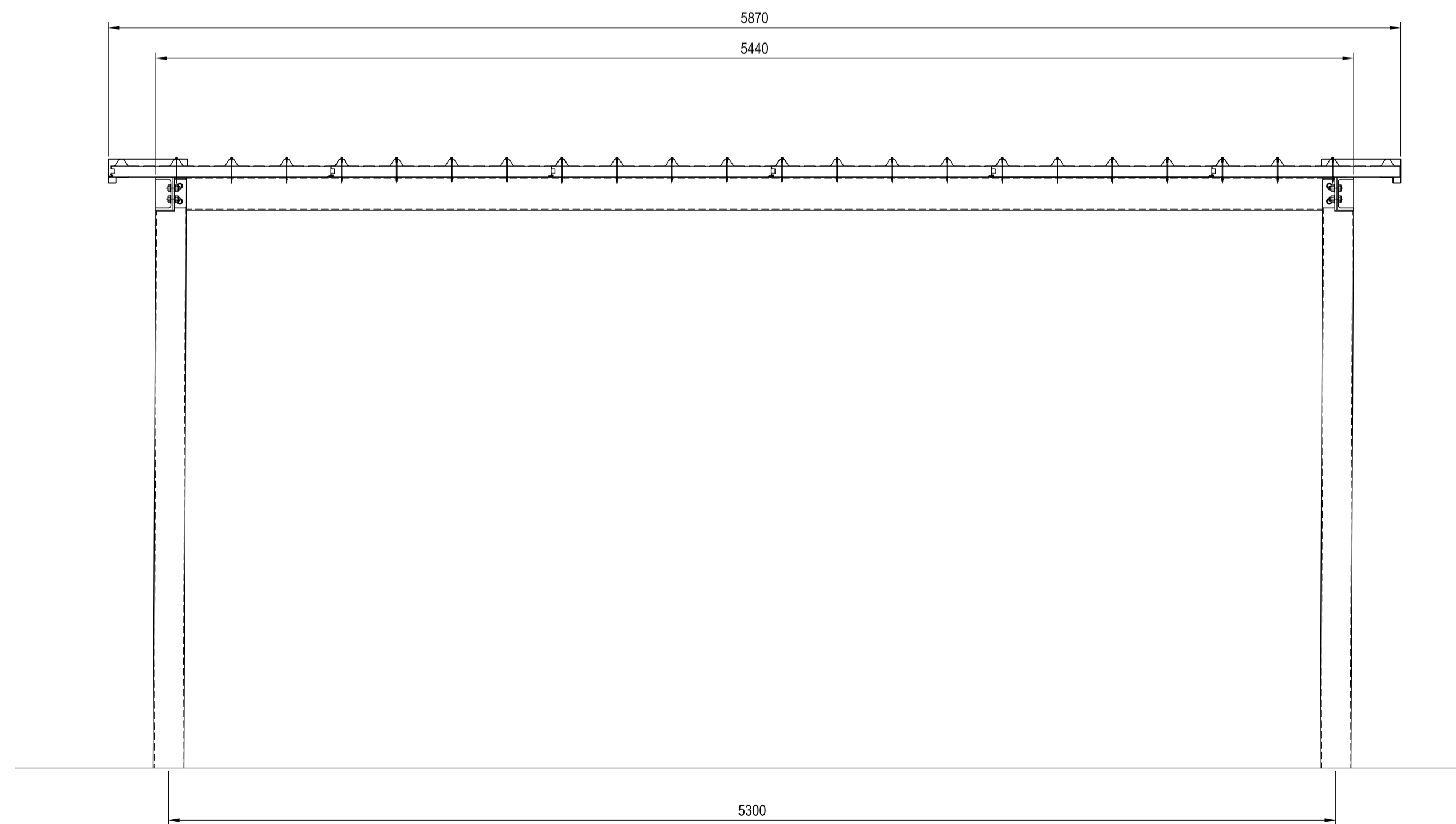
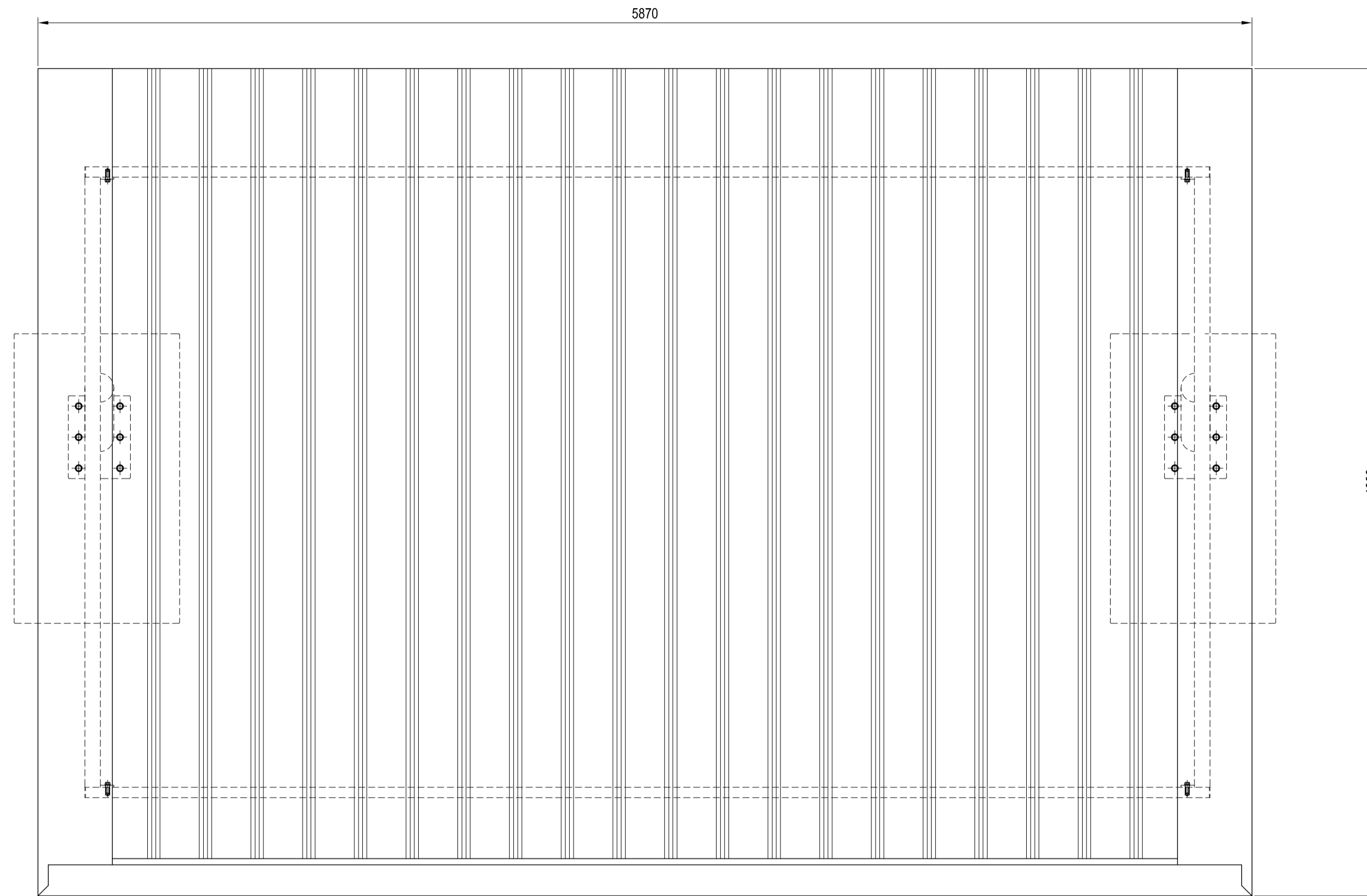
A	DRAWING ISSUED FOR APPROVAL	RAL	
REV:	DESCRIPTION:	BY:	DATE:
1/47 Holder Way Malaga WA 6090		08 9248 8844 www.ironcladwa.com.au	
CLIENT:			
DESCRIPTION: ILLAWARRA SHADE STRUCTURE			
SCALE AT A1: 1 : 20	DATE:	DRAWN: RAL	CHECKED:
PROJECT NO:	DRAWING NO: I-4940-2	REVISION: A	



Illawarra Shelter

Insulated Roof Panel Over Dimensions : 5900mm x 4000mm Structural
Members : Hot Dip Galvanised Steel with Powder Coat
Finish Circular Hollow Section Post Option

Product Code : **I-5940-1**



A	DRAWING ISSUED FOR APPROVAL	RAL	
REV:	DESCRIPTION:	BY:	DATE:
IRONCLAD <small>ARCHITECTURAL METALWORK WA</small>			
1/47 Holder Way Malaga WA 6090		08 9248 8844 www.ironcladwa.com.au	
CLIENT:			
DESCRIPTION: ILLAWARRA SHADE STRUCTURE			
SCALE AT A1: 1 : 20	DATE:	DRAWN: RAL	CHECKED:
PROJECT NO:	DRAWING NO: I-5940-1	REVISION: A	



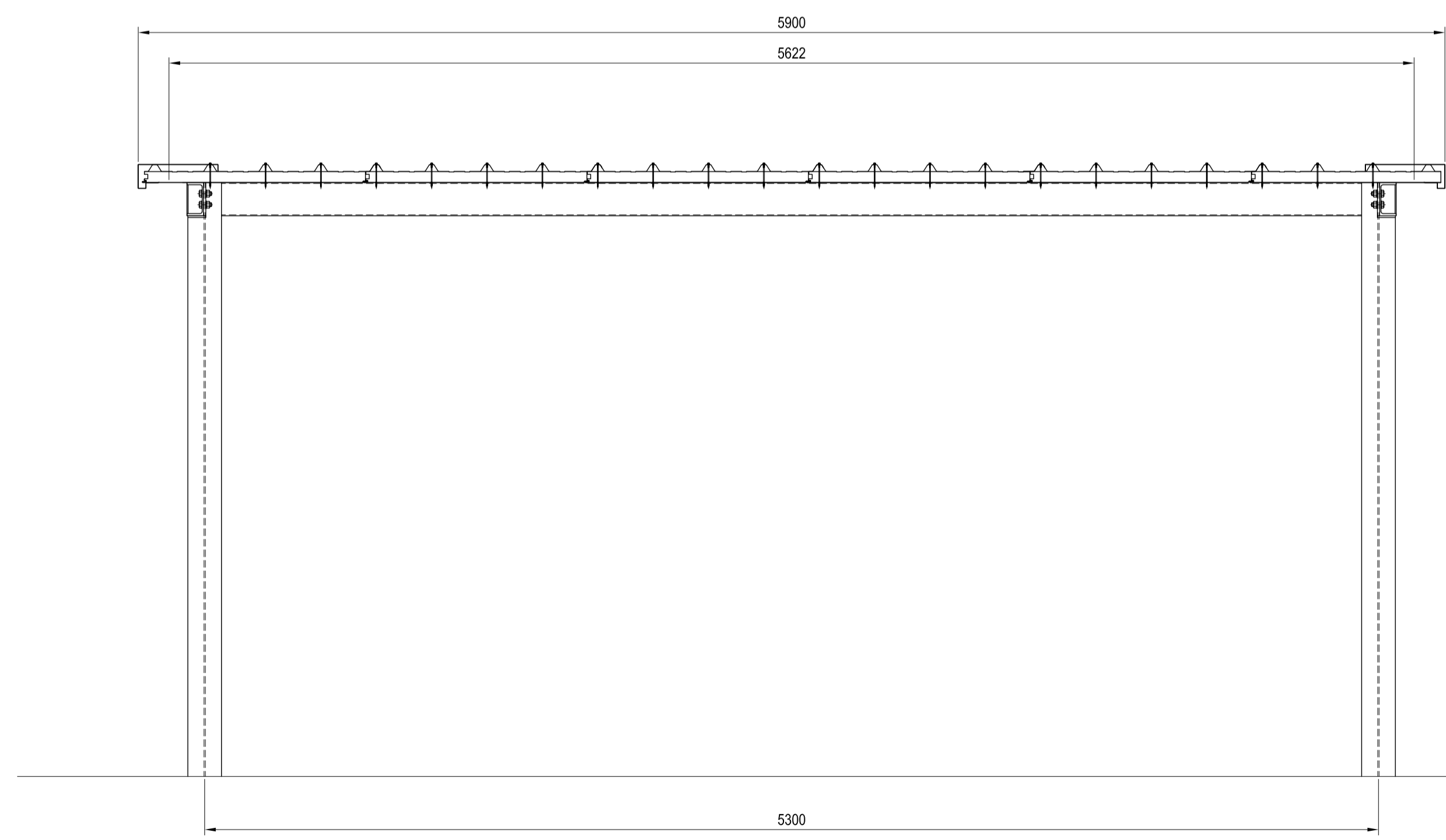
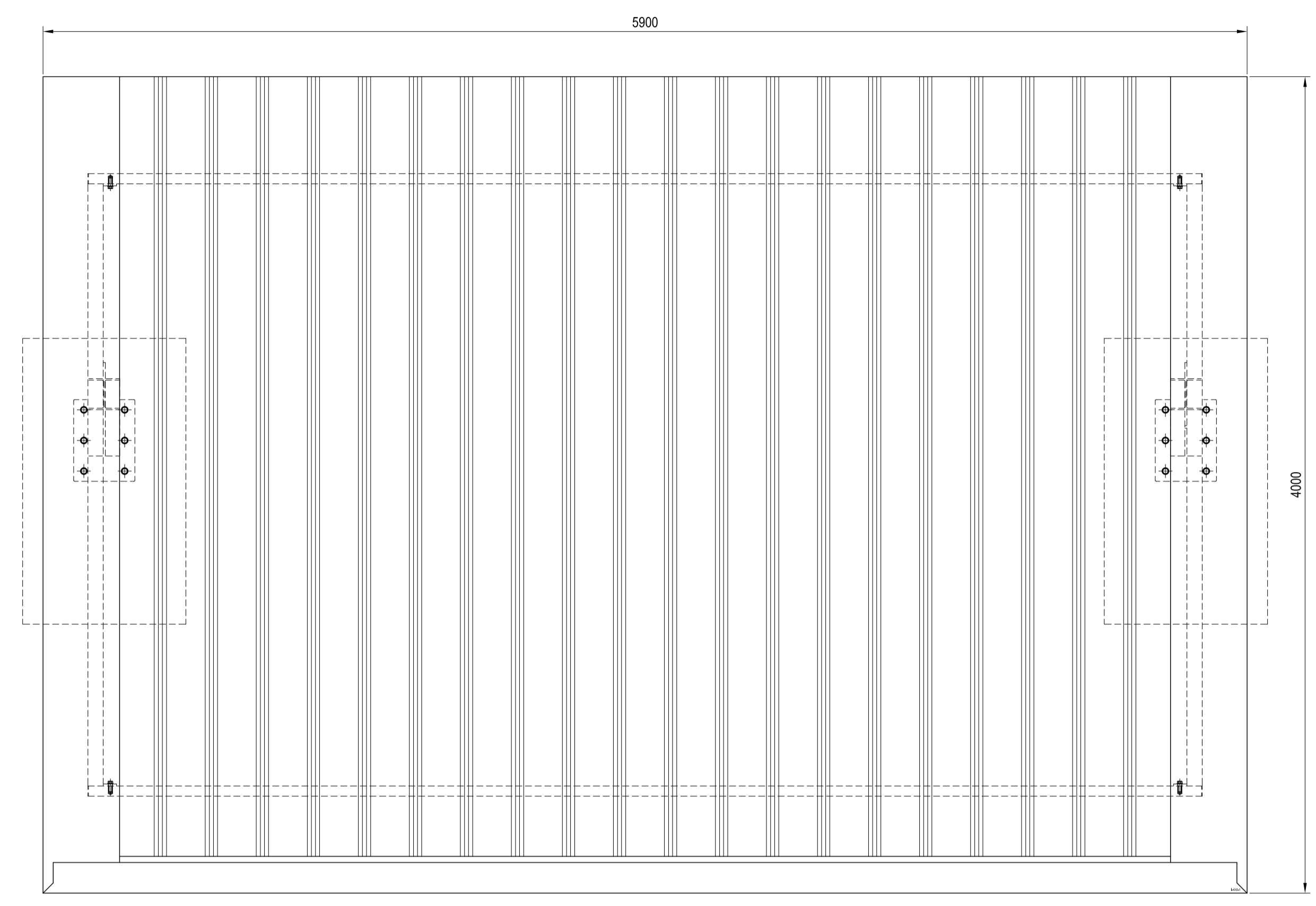
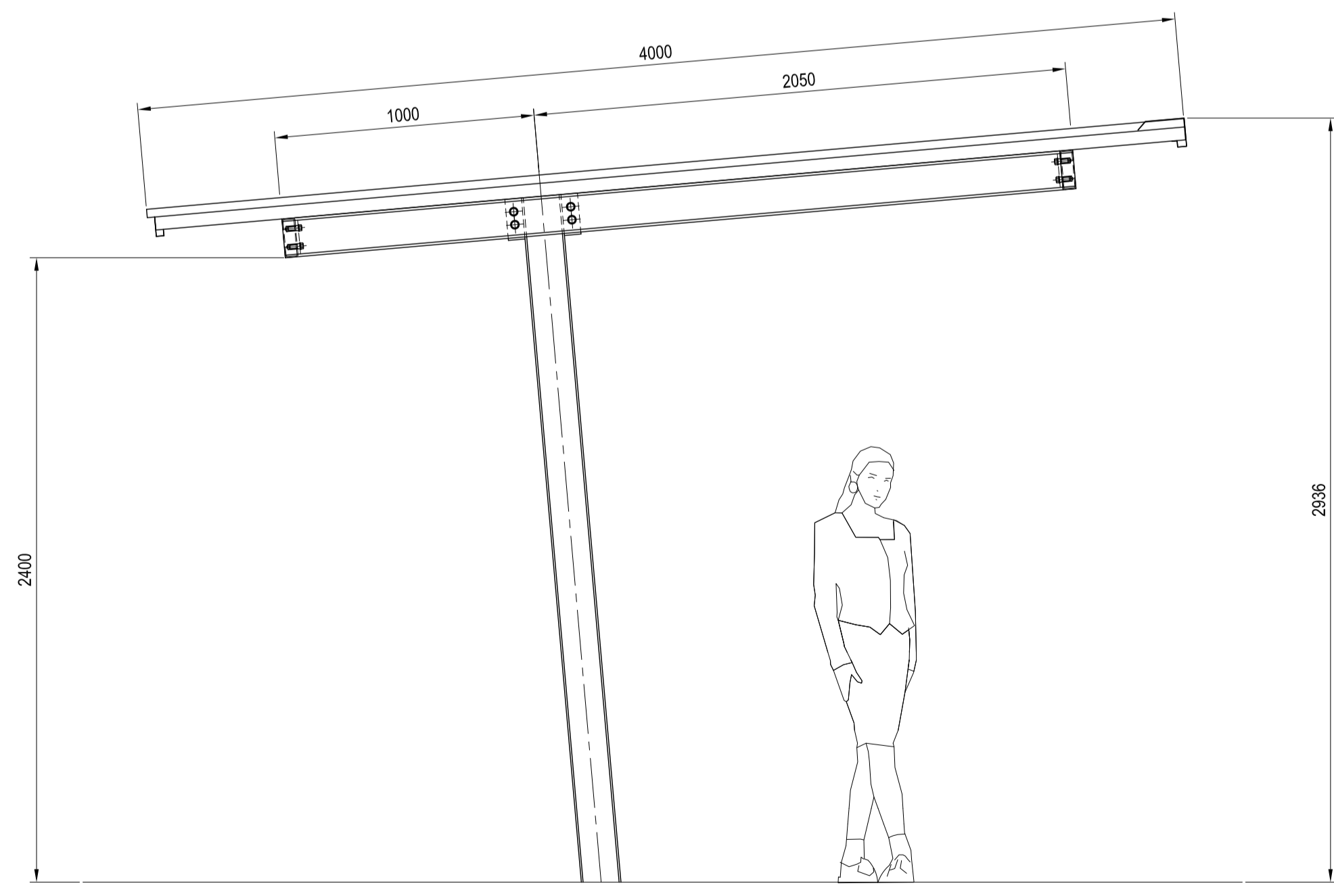
Illawarra Shelter

Insulated Roof Panel Over Dimensions : 5900mm x 4000mm

Structural Members : Hot Dip Galvanised Steel with Powder Coat Finish

Universal Column Post Option

Product Code : **I-5940-2**



A	DRAWING ISSUED FOR APPROVAL	RAL	
REV:	DESCRIPTION:	BY:	DATE:
IRONCLAD ARCHITECTURAL METALWORK WA			
1/47 Holder Way Malaga WA 6090		08 9248 8844 www.ironcladwa.com.au	
CLIENT:			
DESCRIPTION: ILLAWARRA SHADE STRUCTURE			
SCALE AT A1: 1 : 20	DATE:	DRAWN: RAL	CHECKED:
PROJECT NO:	DRAWING NO: I-5940-2	REVISION: A	